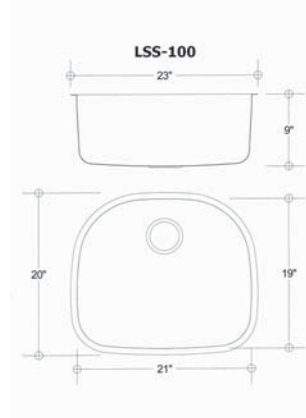


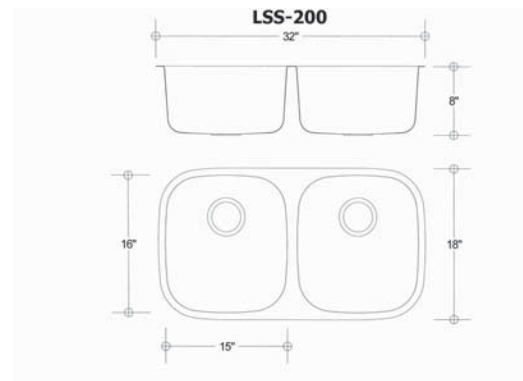
# C-Tech Lavina Undermount Sinks



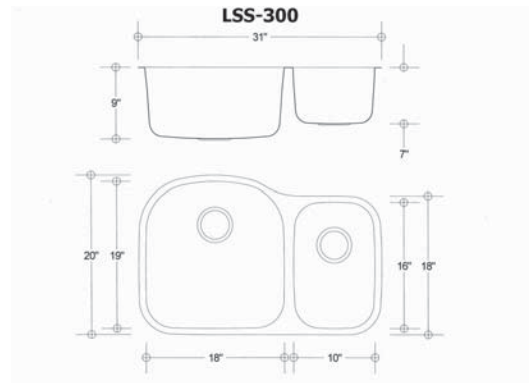
LSS100 - SINGLE



LSS200 - DOUBLE



LSS300 - BANJO



C-Tech Lavina undermount sinks are made of premium 18/10 stainless steel.

For daily cleaning, use a mild detergent with a sponge, rinse and dry off. From time to time, you may also want to polish your sink to restore its original beauty and shine, using a common stainless steel polishing cleaner. Avoid harsh chemicals, bleaches and acids and rusted objects in your sink.

C-Tech Lavina sinks are available through AMC of Wisconsin and affiliated dealers. For warranty, information and extra accessories, visit [www.ctechi.com/lavina](http://www.ctechi.com/lavina)